



## PRODUCT IMPROVEMENTS

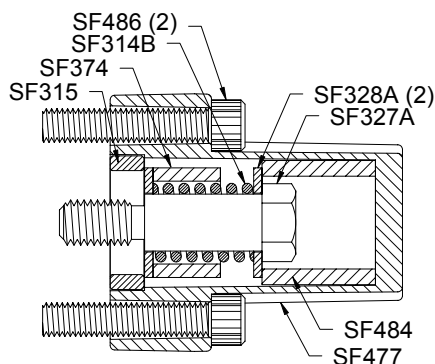
### Die-Cast Endcap:

Beginning November 10, 2003, Brand will start using a die cast end-cap on AO, SDCF, LS and TS valves. Overall length, where this end-cap is used, will increase by 4/10 of an inch. This end-cap is going to be used on all of the following options: spring centering (S), friction detent (F1), 3-position detent (D), spring offset (SO), spring offset (SO2), spring center/detent (SD), spring center/friction detent (SF1) and two-position detent (2D and D2).

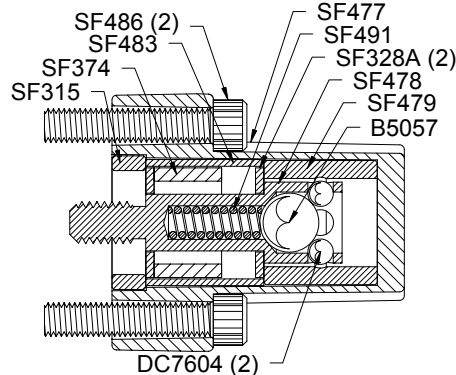
### Parts List:

B5057.....7/16 Steel ball	SF328A... Washer	SF479.....F1 Detent sleeve	SF485..... Spacer
DC7604...3/16 Steel ball	SF374..... Spacer	SF480.....SD Spring center / detent	SF486..... 1/4-20x1-1/4 S.H.C.S.
SF314B... Centering spring	SF389..... Spacer	SF481.....SF1 Spring center / friction	SF491..... Detent spring
SF315..... Spacer	SF390..... Spool stop	SF482..... D 3-position detent sleeve	SF493..... Spacer
SF327.....5/16-18x1-1/2 Bolt	SF477..... Die cast end-cap	SF483..... Spacer	
SF327A... Shoulder bolt	SF478..... Detent housing	SF484..... Spacer	

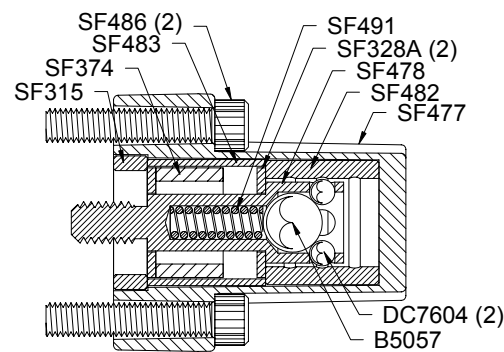
SDC-S SPRING CENTERING



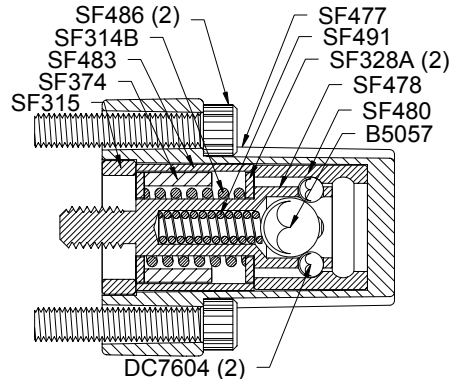
SDC-F1 FRICTION DETENT



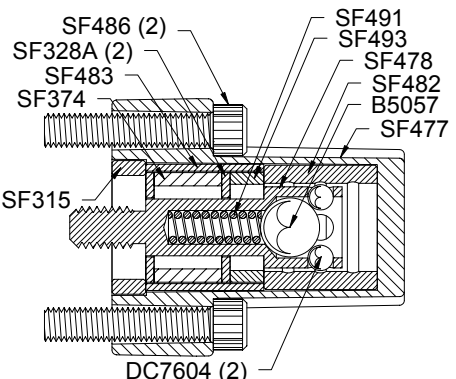
SDC-D THREE POSITION DETENT



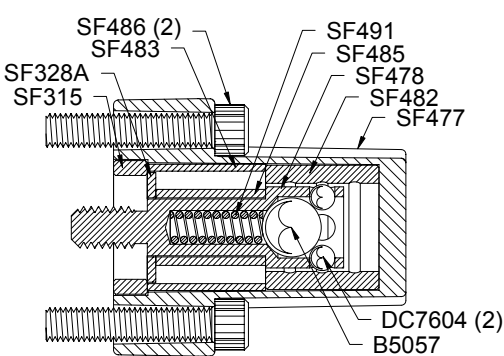
SDC-SD SPRING CENTER / DETENT



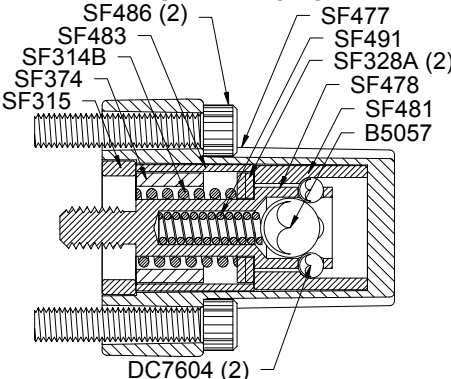
SDC-2D TWO-POSITION DETENT P TO B



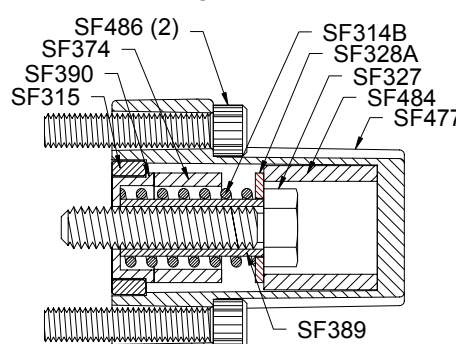
SDC-D2 TWO-POSITION DETENT P TO A



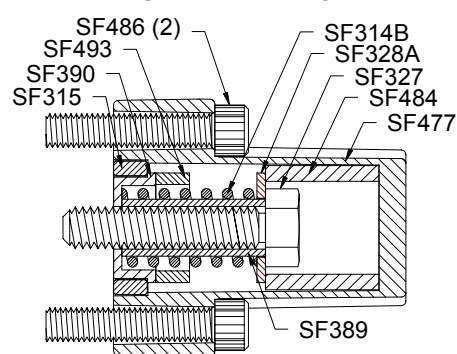
SDC-SF1 SPRING CENTER / FRICTION P TO B IN FRICTION



SDC-SO SPRING OFFSET P TO B AND NEUTRAL

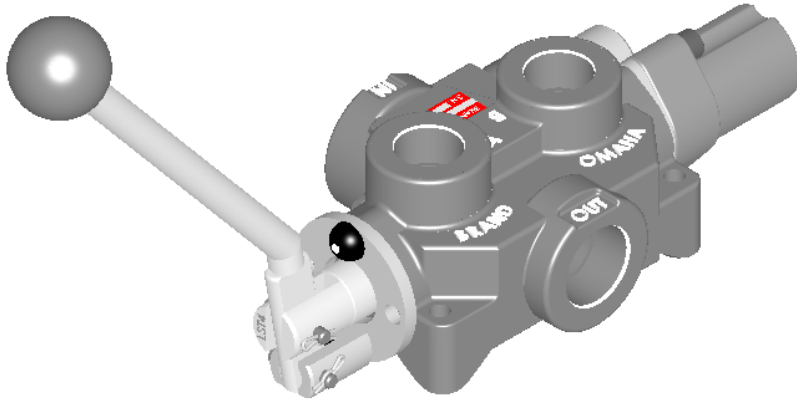


SDC-SO2 SPRING OFFSET P TO B NEUTRAL AND P TO A





### PRODUCT IMPROVEMENTS



#### Brand's New Log Splitter SH:

Brand has redesigned its log splitter to be more price competitive. The new log splitter has a non-adjustable hydraulic kick-out that varies between 600-1200 psi. It also has an optional adjustable relief that is preset to 2000 psi. This will become our standard log splitter on November 10, 2003. Brand will still offer the SHA and HHA models. However, there will be a price increase on the SHA and HHA due to reduced production quantities. Prices listed below are for the LS valve only and cannot be applied to the AO valve.

**Base Price:**

LS755	3/4" NPT inlet/outlet, 1/2" NPT work ports.....	\$85.00
LS120	#12 SAE inlet/outlet, #10 SAE work ports.....	\$86.00

**Options:**

SH	Single hydraulic kick-out/spring center.....	\$ N.C.
SHA	Adjustable single hydraulic kick-out (400-1200 psi)/spring center.....	\$46.90
HHA	Hydraulic kick-out from both directions.....	\$80.30
R	Adjustable ball spring relief for LS only, price does not apply to AO series valve.....	\$9.00

Note: All standard spools T4, O4 and C4 are included in the base price of the valve.