



BRAND
HYDRAULICS Co.

Made in the Heartland of America
Serving the World

Engineering & Manufacturing Solutions

BG4

Non-Adjustable Constant Volume
Priority Divider

Specifications:

- Rated for 3000 psi (207 bar).
- Rated for 30-45 gpm (114-170 lpm).
- 30-Micron filtration recommended.
- Weight 8.5 lbs. (3.9 kg).
- Standard port size.
-#16SAE (1-5/16-12) all ports.



PBG405-16SAE



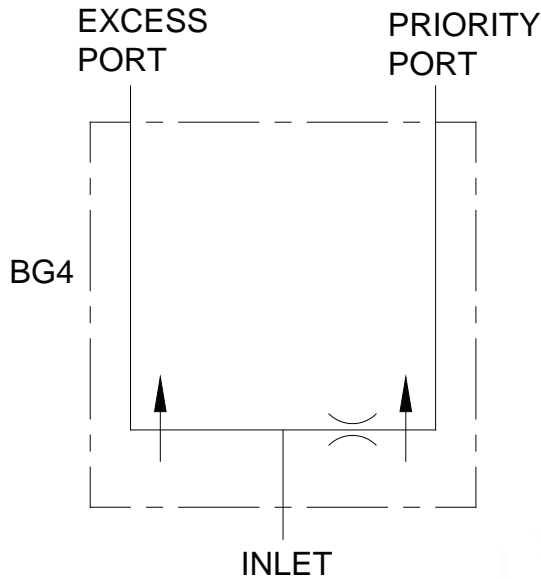
ISO 9001:2008 WITH DESIGN
Certificate #02.002.1



402.344.4434 • www.brand-hyd.com

BG4

Non-Adjustable Constant Volume Priority Divider



PBG405-16SAE

MATERIALS:

- Ductile Cast Iron Body
- Buna N O'Rings
- Heat Treated Steel Spools

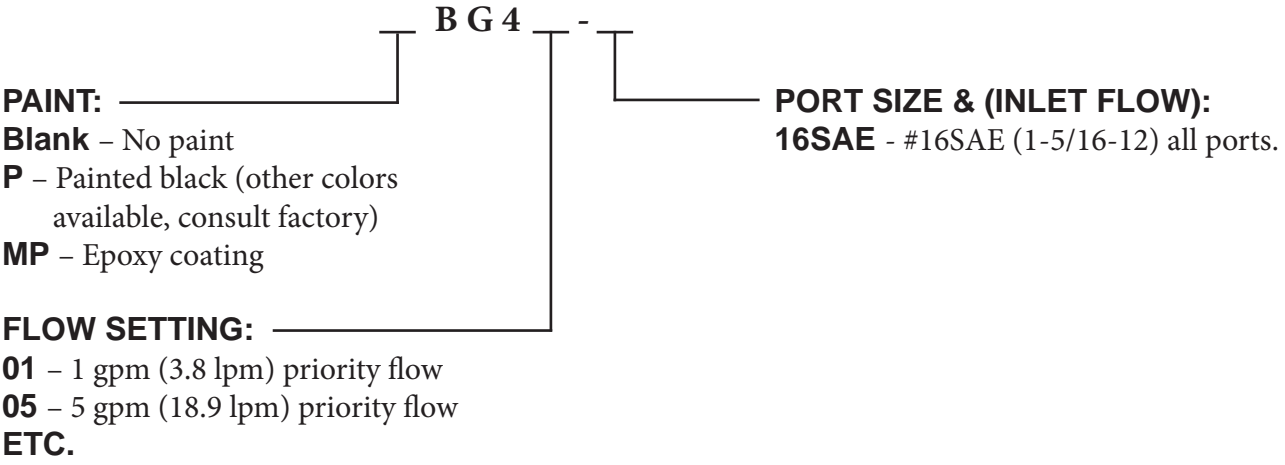
FEATURES:

- PRECISION GROUND HEAT TREATED SPOOL that assures long life.
- PRESSURE COMPENSATION for both outlet ports.
- PRIORITY FLOW IS PRESET at factory to customer requirements.
- EVERY BG4 IS TESTED for priority flow and pressure compensation.
- LARGE METERING SPOOL provides a greater area for the pressure differential to act upon.

BG4 – GENERAL INFORMATION:

The Brand, BG4 non-adjustable priority flow divider receives a single stream of fluid and divides it into a priority stream and an excess stream. The priority flow port maintains the same flow even with an increase or decrease in the input flow. Both outlet flows are pressure compensating and the sum of said flows equals the inlet flow. Flow can only pass through the valve in one direction, inlet to outlet. Accuracy is normally better than $\pm 5\%$. The priority flow setting must be specified when ordering. Pressure drop through the valve will range from 33 to 50 psi (2.3 to 3.4 bar) depending on the flow and pressure in the system.

BG – CREATING A MODEL CODE FOR BG4’S:



BG4 – EXAMPLES OF COMMON MODEL CODES:

BG410-16SAE.....Ten gpm priority (37.8 lpm) setting and #16SAE all ports.



BG4 Non-Adjustable Constant Volume Priority Divider

DIMENSIONAL DATA (BG4 SHOWN): inches & [millimeters]

