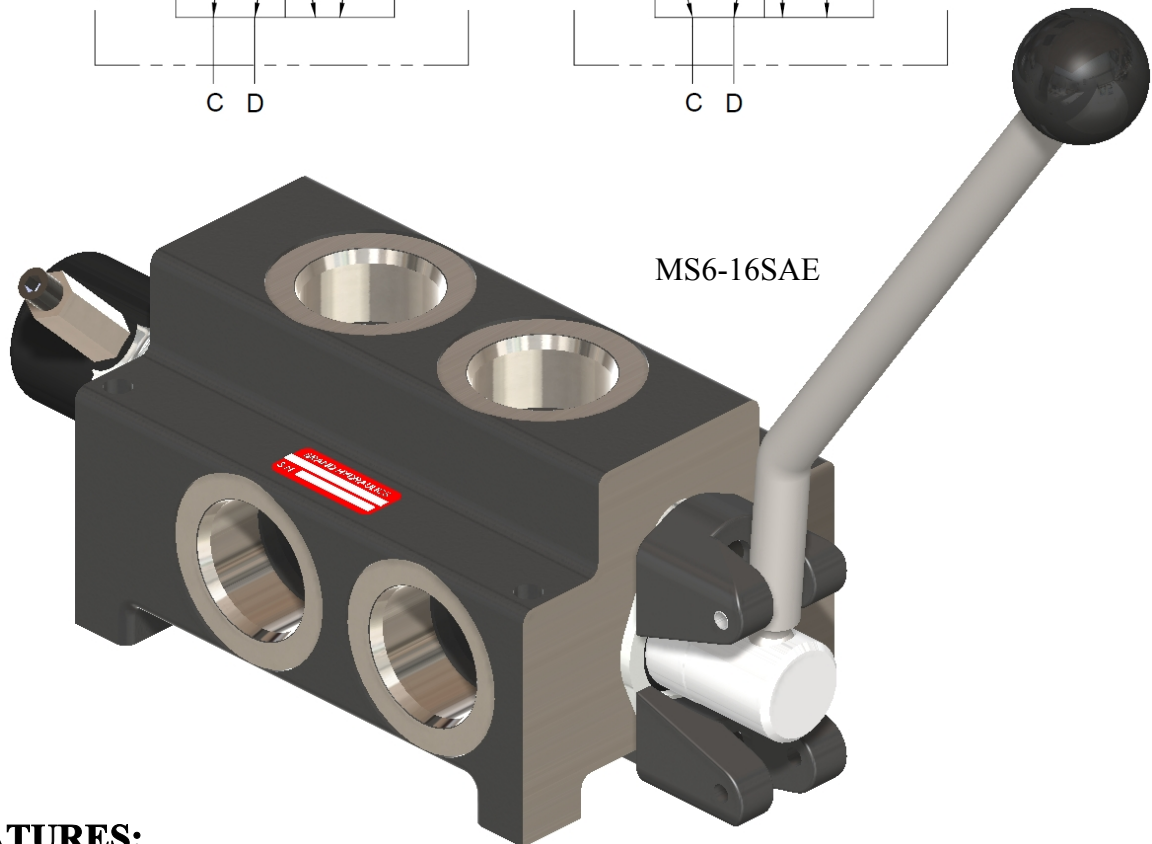
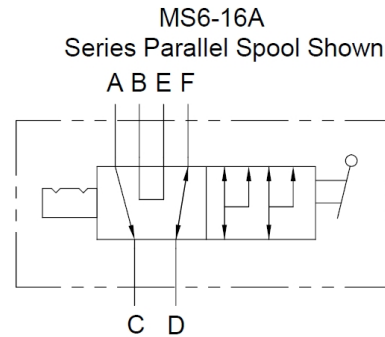
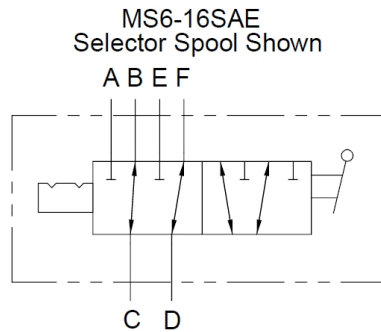


6-WAY MANUAL SELECTOR VALVE “MS6”



FEATURES:

- **PRECISION GROUND IOSSO PLATED SPOOL** that assures long life.
- **O’RING PORTS** to eliminate leakage.
- **RIGID HANDLE** allows customer to shift spool smoothly.
- **STANDARD TWO POSITION DETENT** to hold spool in either active position.
- **STANDARD POLYPAK SEALS** for an increased pressure rating.

SPECIFICATIONS:

- **Rated for 5000 psi (345 bar).**
- **Flow rating 0-45 gpm (0-170 lpm).**
- **30-Micron filtration recommended.**
- **Weights 14.3 lbs. (6.5 kg).**
- **Standard port size #16 SAE all.**

MATERIALS:

- **Ductile Cast Iron Body**
- **Buna N O’Rings**
- **IOSSO Chrome Plated Steel Spools**

MS6 – GENERAL INFORMATION

The Brand, MS6 series valve comes standard with two-position detent and manual handle. The MS6 offers a selector spool or a series-parallel spool. Both ports on the top of the valve serve as the inlet and outlet while the ports on the sides are plumbed into two separate circuits. The MS6 allows up to 45 gpm flow.

SPOOLS – The selector spool allows you to flow out of either set of side ports while the other side ports are closed. The selector spool could be used to control two double action cylinders or two reversible motors with one 4-way directional control valve. It could also be used to control four single action cylinders with one 4-way directional control valve. The series-parallel spool allows you to direct flow to both set of side ports in series or in parallel. The series parallel spool allows you to direct flow into two motors with the flow run in parallel or in series between the motors.

MS6 – COMPLETE LIST OF MODEL CODES:

MS6-16SAE.....16 SAE all ports, 45 gpm (170 lpm) rating and 6 ports.

MS6-16PSO.....16 SAE all ports, 45 gpm (170 lpm) rating, pilot operated, spring offset and 6 ports.

MS6-16A.....16 SAE all ports, 45 gpm rating and 6 ports, Series-Parallel Spool

DIMENSIONAL DATA (MS6-16SAE SHOWN):

