

INSTALLATION SHEET FOR S95 STYLE FLOW CONTROLS KEEP WITH PRODUCT UNTIL INSTALLED

ADDITIONAL SHEETS MAY BE PRINTED OUT FROM OUR WEBSITE WWW.BRAND-HYD.COM UNDER PRODUCT CATALOG SECTION

CF port (Controlled Flow) - flow coming from the CF port is pressure compensated and proportional to the side lever rotation. Flow can vary from closed to wide open.

EX port (Excess Flow) - Flow coming from the EX port is also pressure compensated.

WHAT IF I?

Block the CF port - Compensator spool will shift over and close off the EX port. Do not block the CF port.

Block the EX port - to do this a pressure compensated or load sense pump must be used.

Mounting Surface - The valve must be mounted on a flat surface. It is important not to bend or twist the casting when mounting because this may cause the comp spool to bind.

Pipe thread sealant - Warranty is void when Teflon tape is used to seal pipe threads. This is because Teflon tape is a friction reducing agent which allows customers to over-torque fittings. We recommend using a sealant that does not include friction reducing agents i.e. Lead Plate.

Can I paint my valve? - Painting valves is okay as long as the all ports are properly plugged.

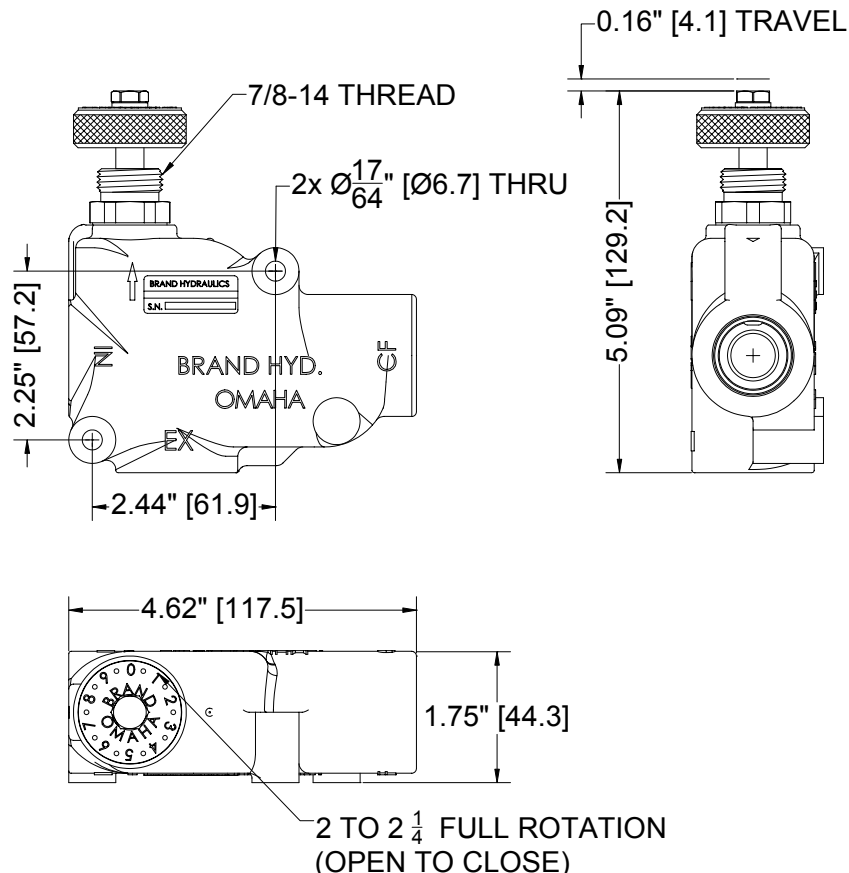


Figure 1: Dimensional Data for S95 style valves in inches & [millimeters].