

INSTALLATION SHEET FOR POC76 STYLE PILOT OPERATED CHECK VALVE KEEP WITH PRODUCT UNTIL INSTALLED

ADDITIONAL SHEETS MAY BE PRINTED OUT FROM OUR WEBSITE WWW.BRAND-HYD.COM UNDER PRODUCT CATALOG SECTION

Can I paint my valve? – Painting valves is okay as long as the all ports are properly plugged.

Pipe thread sealant – Warranty is void when Teflon tape is used to seal pipe threads. This is because Teflon tape is a friction reducing agent which allows customers to over-torque fittings. We recommend using a sealant that does not include friction reducing agents i.e. Lead Plate.

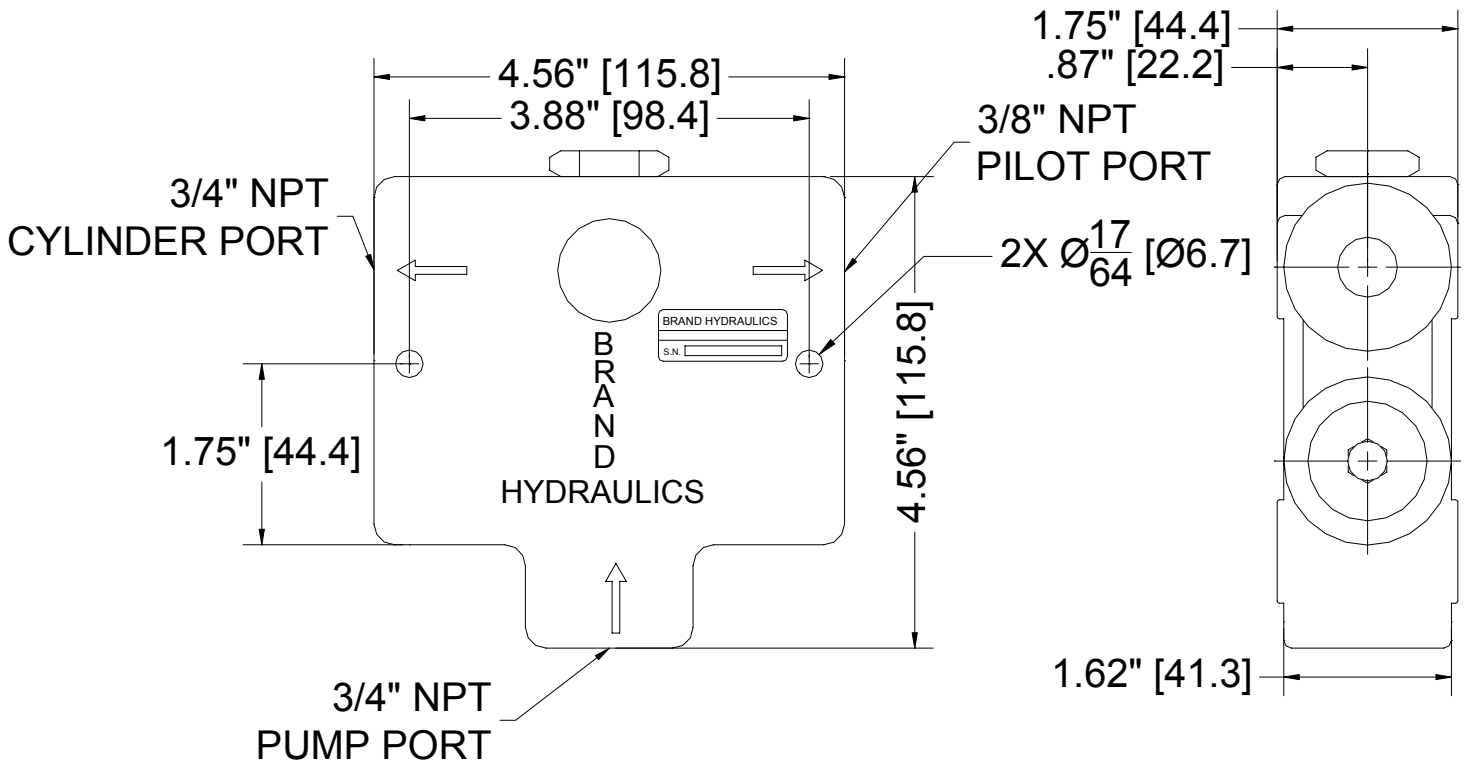


Figure 1: Dimensional Data for Pilot Operated Check valve in inches & [millimeters].