

## INSTALLATION SHEET FOR HPV4 DIRECTIONAL CONTROL VALVES

**KEEP WITH PRODUCT UNTIL INSTALLED**

ADDITIONAL SHEETS MAY BE PRINTED OUT FROM OUR WEBSITE [WWW.BRAND-HYD.COM](http://WWW.BRAND-HYD.COM) UNDER PRODUCT CATALOG SECTION

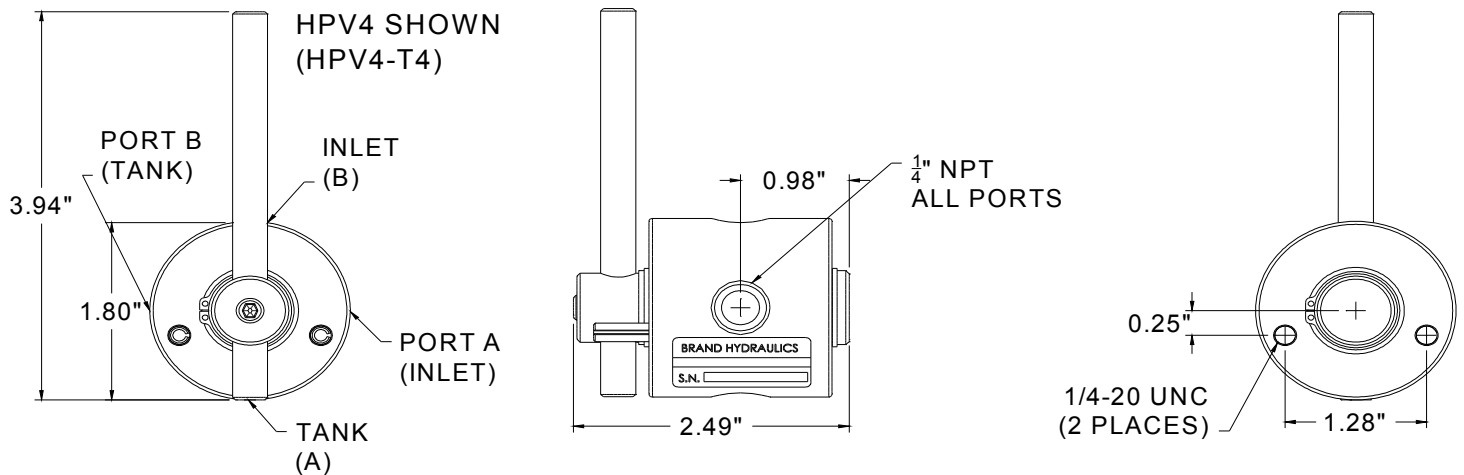
Can I paint my valve? – Painting the valve is okay as long as all the ports are plugged.

Mounting Surface – The valve must be mounted on a flat surface.

### Other Information

1. Valves are available in NPT and SAE, however, we do recommend SAE porting.
2. At 3000psi, 30 in-lb is required to turn HPV4 spool.
3. 15 degrees of rotation is required from neutral before work ports open to tank.

Pipe thread sealant – Warranty is void when Teflon tape is used to seal pipe threads. This is because Teflon tape is a friction reducing agent which allows customers to over-torque fittings. We recommend using a sealant that does not include friction reducing agents i.e. Lead Plate.



**Figure 1: Dimensions for HPV4.**