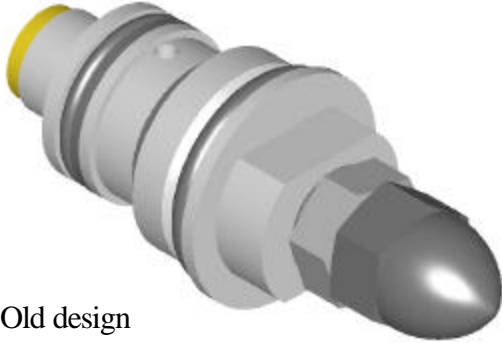
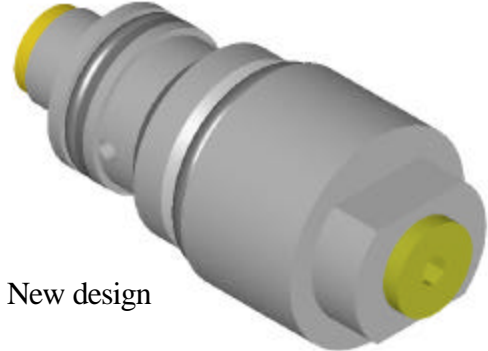


Product Modifications and Additions

SDCF Relief Cartridge:

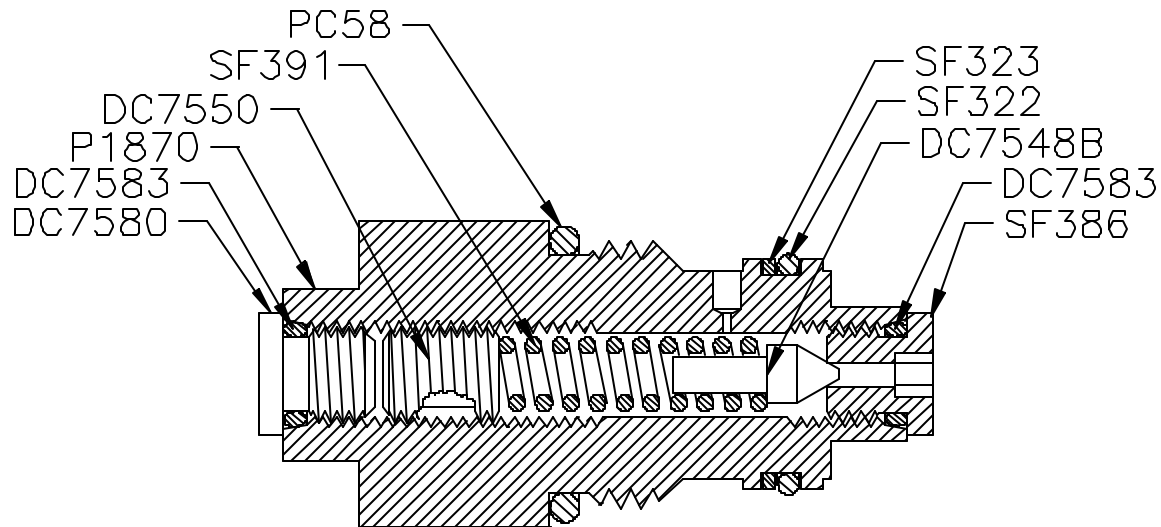


Old design



New design

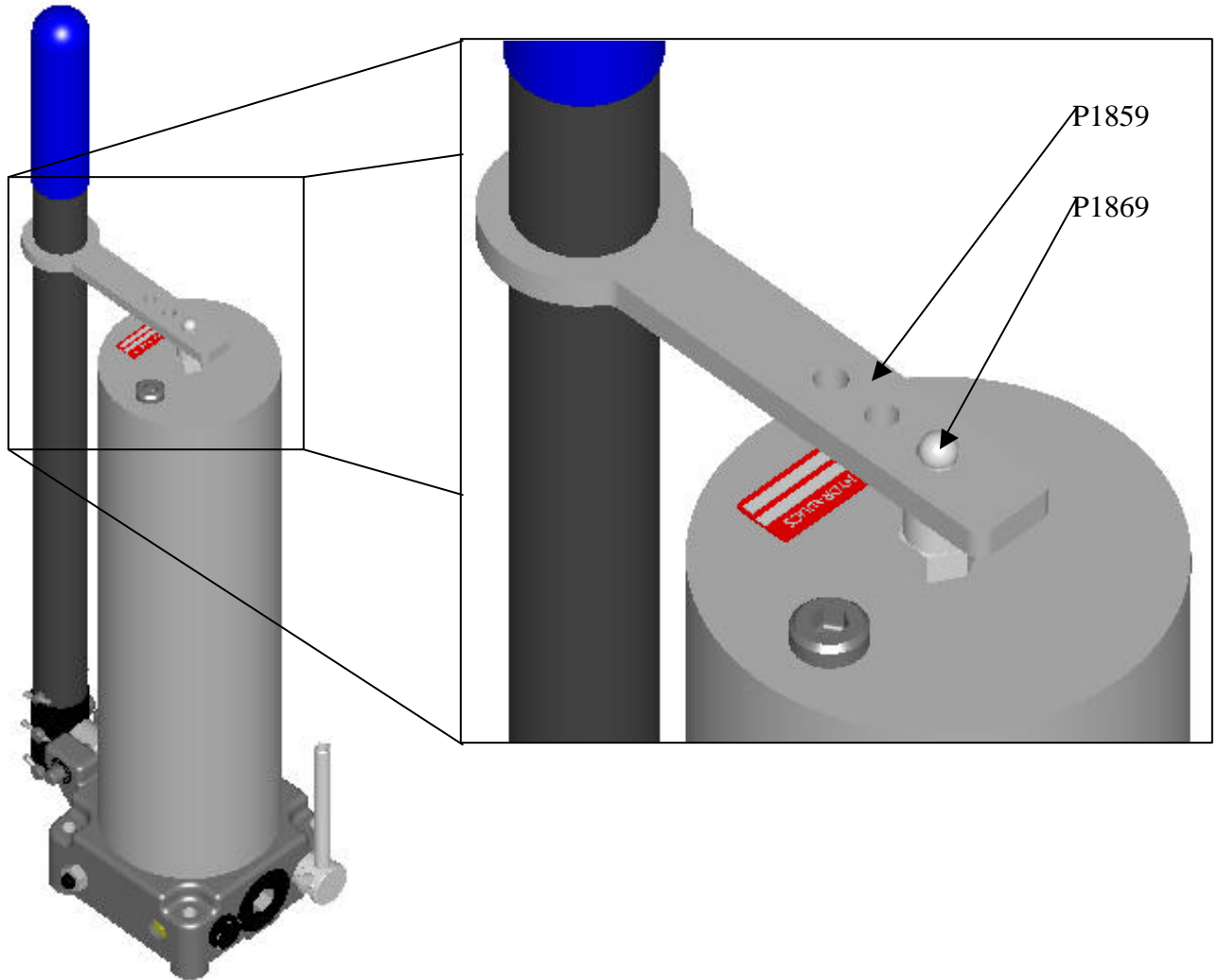
The SDCF relief cartridge has been modified so that the relief cartridge is sealed with a SAE plug (DC7580). The adjustment of this relief cartridge is similar to the DCF relief cartridge. Simply remove the SAE plug (DC7580), insert a 5/32" hex wrench and turn CW to increase the pressure or CCW to decrease the pressure. The set screw (DC7550) will not vibrate out because there is a nylon plug, on the threads, to hold it in place. All of the SDCF valves that are shipped after August 22, 2002 will have the new design. Model codes for this new relief cartridge will remain the same.



MANUFACTURERS OF SPECIAL FLUID POWER PRODUCTS

(Over)

Hand Pump Handle Tie Addition:



The newest addition to our hand pump is the handle strap. Brand added this feature to satisfy customers requiring a fixed handle when the pump is not in use. The strap (P1859) was stamped out of ¼" 60 durometer EPDM material. This material was chosen because it is compatible with hydraulic fluid, flexible from -70 deg F to 302 deg F and resistant to ozone and aging. The strap fastener (P1869) holds the tank to the casting and the strap to the tank. Hand pumps shipped after August 22, 2002 will have the new handle strap. Model codes for hand pumps, with the handle strap, will remain the same.